

ALU-SMART



01/2026 en - 259.420.01.581 © by Glatz AG

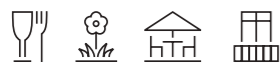
ALU-SMART

The small and flexible parasol

> 98 %
UV
Protection



Frame	6 or 8 ribs Aluminium Profiled upper pole 38.4 × 1.2 mm Profiled lower pole 35 × 1.5 mm
Function	Opened by pushing up the runner Stepless height adjustment 40–60 cm Tilting thanks to the tilt joint Tilting in both directions to 32°
Frame colour	Natural anodised aluminium
Canopy	Fabric quality 5: polyacrylic, 300 g/m ² , UV protection > 98 % Fabric quality 4: polyester, 250 g/m ² , UV protection > 98 % Fabric quality 2: polyester, 220 g/m ² , UV protection > 98 % Self-tensioning through flexible rib ends
Flounce	Only available without
Protective cover	Can be ordered as an optional extra
Electrical accessories	Osyron Spot LED with integrated battery pack



Usage locations



Fixation



ALU-SMART,
Int. Patents reg. © Int. Design reg.

Valid from 1.1.2026
glatz.com



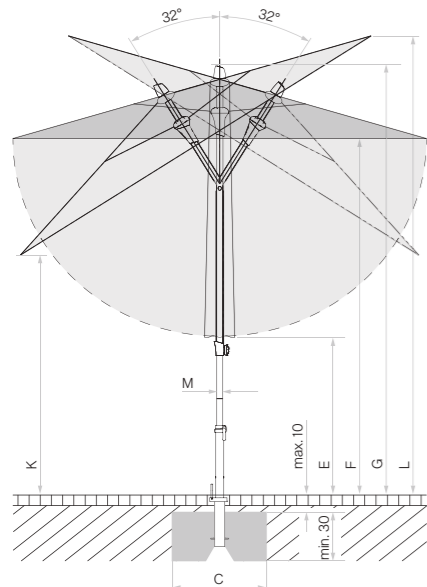
Assortment

Frame aluminium, anodised natural

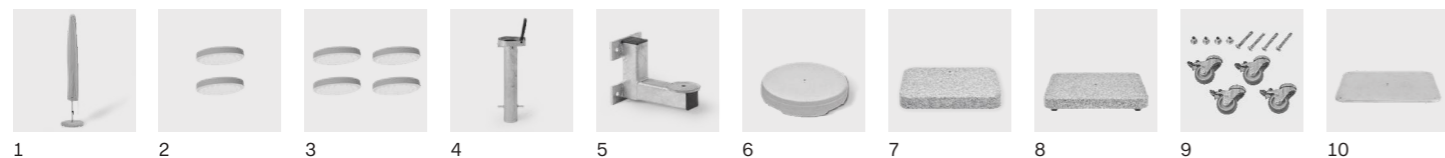
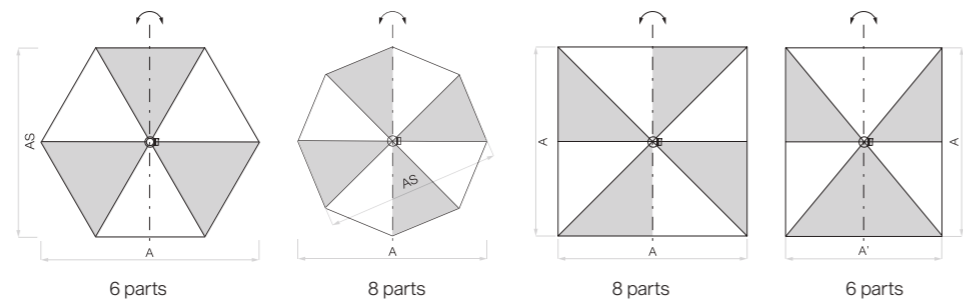
Shape	Nominal size	Number of ribs	Order no.
	cm		
○	Ø 200	6	206 00 200 171
	Ø 250	8	206 00 250 171
	Ø 300	8	206 00 300 171
□	200 x 200	8	206 00 201 171
	240 x 240	8	206 00 241 171
□	210 x 150	6	206 00 212 171
	250 x 200	6	206 00 252 171

Nominal size	Lateral distance	Pole Ø	Area covered	Height closed	Clear headroom	Clear headroom inclined	Total height	Total height parasol inclined	Foundation	Minimum weight for base	Max. wind speed open
cm	cm	cm	m²	cm	cm	cm	cm	cm	cm	kg	km/h (Bft.)
A	AS	M		E	F	K	G	L	C		
Ø 200	175	3.5	2.6	70...130	150...210	95...155	180...240	200...260	40 x 40	30	75 (9)
Ø 250	230	3.5	4.4	50...110	150...210	80...140	185...245	217...275	50 x 50	40	50 (7)
Ø 300	275	3.5	6.4	50...90	170...210	85...125	210...250	245...285	60 x 60	40	35 (5)
200 x 200	-	3.5	4.0	35...95	150...210	95...155	185...245	200...260	40 x 40	40	50 (7)
240 x 240	-	3.5	5.8	30...70	170...210	100...140	210...250	230...270	50 x 50	40	40 (6)
210 x 150	-	3.5	3.2	50...110	150...210	110...170	185...245	190...250	40 x 40	30	55 (7)
250 x 200	-	3.5	5.0	40...80	170...210	110...150	210...250	220...260	50 x 50	40	40 (6)

The listed measures represent extrapolated average values that may be slightly different on the product ($\pm 2\% \pm 5$ cm). Height dimensions are based on ground socket BT. These vary slightly depending on the type of base. Except for steel base minus 5 cm. The max. wind speed limits as per our separate sheet apply only if the parasol canopy is in a horizontal position and if there is a fix ground anchorage. A base with the specified minimum weight is not sufficient. In the presence of several parasols, the minimum distance between one parasol and another and between parasols and walls shall be 20 cm.



Loose cover max. 10 cm, concrete thickness min. 30 cm (pay attention to frost depth), guarantee water drainage



Protective cover

Protective cover made of coated, tear-resistant polyester fabric

	Absolutely necessary	Order no.
1 Protective cover with zip and rod		350 01 609 980
10 pieces, protective cover with zip and rod		350 01 609 974

Accessories

Electrical accessories

2 OSYRION Spot LED battery-powered light, set of 2, with remote control, including charger		350 01 563 000
3 OSYRION Spot LED battery-powered light, set of 4, with remote control, including charger		350 01 563 100

Fixations

Ground sockets

4 Ground socket BT, hot-dip galvanised steel	Connection tube BT	350 01 206 100
--	--------------------	----------------

Wall consoles

5 Wall bracket Z, 180 mm, hot-dip galvanised steel	Support tube Z	350 01 205 000
--	----------------	----------------

Bases

6 Concrete base Z, 30 kg, Ø 47 x 10 cm, light concrete	Support tube Z	350 01 111 016
6 Concrete base Z, 40 kg, Ø 60 x 8.5 cm, light concrete	Support tube Z	350 01 111 116
1 pallet (20 pieces) concrete base Z, 40 kg, Ø 60 x 8.5 cm, light concrete	Support tube Z	350 01 112 116
6 ¹ Concrete base Z, 40 kg, Ø 60 x 8.5 cm	Support tube Z	350 01 109 529
7 1/2 Natural granite base Z, 30 kg, 50 x 33 x 7 cm, natural stone	Support tube Z	350 01 109 480
8 Natural granite base Z, 40 kg, 50 x 50 x 8 cm, natural stone, matt NEW	Support tube Z	350 01 109 432
9 ³ Set of castors for natural granite base Z, 40/55/90 kg / M4, 120 kg, Ø 5 cm, galvanised steel		350 01 109 487
9 ^{3*} Set of castors for natural granite base Z, 40/55/90 kg / M4, 120 kg, Ø 5 cm, high-grade steel 1.4301 / 304		350 01 109 486
10 Steel base Z 40 kg, 58.5 x 58.5 x 2 cm, hot-dip galvanised steel	Support tube Z	350 01 100 810
11 ³ Set of castors for steel base Z, 40/55 kg, Ø 5 cm, galvanised steel		350 01 101 001
11 ^{3*} Set of castors for steel base Z, 40/55 kg, Ø 5 cm, high-grade steel 1.4301 / 304		350 01 101 000

Bases with castors

12 ^{3,7} Base with castors Z, 55 kg, 65 x 65 x 11 cm, light concrete (without decorative plate)	Support tube Z + decorative plate	350 01 113 200
^{3,7} 1 pallet (5 pieces) base with castors Z, 55 kg, 65 x 65 x 11 cm, light concrete (without decorative plate)	Support tube Z + decorative plate	350 01 113 280
13 ¹ Decorative plate in grey white RAL 9002 for base with castors Z, 55 kg, aluminium composite		350 01 113 310
14 Decorative plate in anthracite RAL 7016 for base with castors Z, 55 kg, aluminium composite		350 01 113 320

Various fixation types

15 Lawn spike Z, 85 x 150 x 350 mm, hot-dip galvanised steel	Support tube Z	350 01 205 400
16 Wall consoles U for the table top, Ø 31-40 mm, high-grade steel 1.4301 / 304, for horizontal flat railing, square profile up to 120 mm		350 01 252 005

Support tubes/connection tubes

17 Support tube Z, Ø 35 / 38-39 mm, hot-dip galvanised steel		350 01 201 010
17 Support tube Z, Ø 35 / 38-39 mm, high-grade steel 1.4301 / 304		350 01 201 100
18 Connection tube BT, Ø 35 / 38-39 mm, hot-dip galvanised steel		350 01 206 210

¹while stocks last

³only suitable for smooth, joint free surface coverings

⁷55 kg: Ground clearance 7 mm

⁸suitable for corrosive environments

