

ALU-TWIST



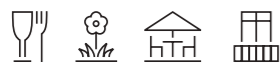
01/2026 en - 259 420 01 591 © by Glatz AG

ALU-TWIST

The clever, convenient parasol
for everyday use



Frame	6 or 8 ribs Aluminium Profiled upper pole 38.4 × 1.2 mm Profiled lower pole 39 × 1.5mm
Function	Crank drive for opening and closing Tilt to 32° using a rotary handle
Frame colour	Natural anodised aluminium
Canopy	Fabric Quality 5: polyacrylic, 300 g/m ² , UV protection > 98 % Fabric Quality 4: polyester, 250 g/m ² , UV protection > 98 % Fabric Quality 2: polyester, 220 g/m ² , UV protection > 98 % Self-tensioning through flexible rib ends
Flounce	Only available without
Protective cover	Can be ordered as an optional extra
Electrical accessories	Osyron Spot LED with integrated battery pack



Usage locations



Fixation



ALU-TWIST,
© Int. Design reg.

Valid from 1.1.2026
glatz.com



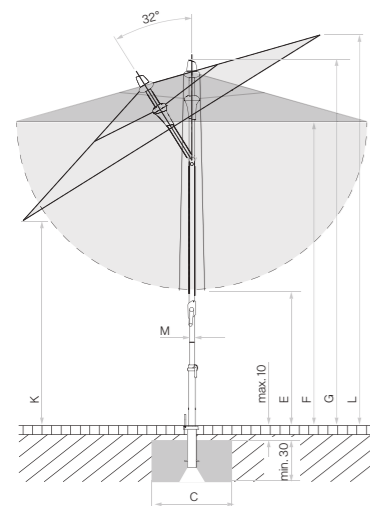
Assortment

Frame aluminium, anodised natural

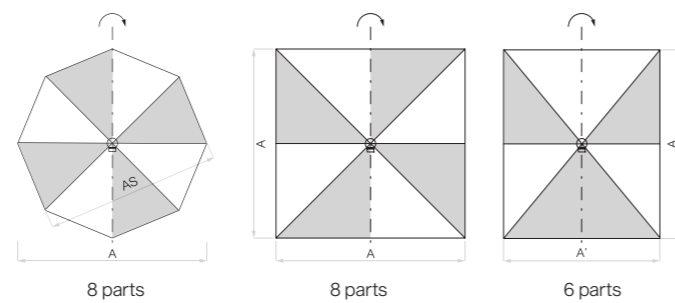
Shape	Nominal size	Number of ribs	Order no.
	cm		
○	Ø 300	8	204 00 300 171
	Ø 330	8	204 00 330 171
□	240 x 240	8	204 00 241 171
□	250 x 200	6	204 00 253 171

Nominal size	Lateral distance	Pole Ø	Area covered	Height closed	Clear headroom	Clear headroom inclined	Total height	Total height parasol inclined	Foundation	Minimum weight for base	Max. wind speed open
cm	cm	cm	m ²	cm	cm	cm	cm	cm	cm	kg	km/h (Bft.)
A	AS	M	E	F	K	G	L	C			
Ø 300	275	3.9	6.4	105	205	130	265	275	60 x 60	40	50 (7)
Ø 330	305	3.9	7.7	95	205	125	275	285	60 x 60	55	45 (6)
240 x 240	-	3.9	5.8	75	205	145	255	265	50 x 50	40	45 (6)
250 x 200	-	3.9	5.0	85	205	150	260	270	50 x 50	40	45 (6)

The listed measures represent extrapolated average values that may be slightly different on the product ($\pm 2\% \pm 5$ cm). Traditionally, the nominal dimension is calculated by doubling the rib length. For this reason, the nominal dimension can exceed the specified tolerance range. Height dimensions are based on ground socket BT. These vary slightly depending on the type of base. Except for steel base minus 5 cm. The max. wind speed limits as per our separate sheet apply only if the parasol canopy is in a horizontal position and if there is a fix ground anchorage. A base with the specified minimum weight is not sufficient. In the presence of several parasols, the minimum distance between one parasol and another and between parasols and walls shall be 20 cm.



Loose cover max. 10 cm,
concrete thickness min. 30 cm (pay attention to frost depth),
guarantee water drainage



Protective cover

Absolutely necessary Order no.

Protective cover made of coated, tear-resistant polyester fabric

1	Protective cover with zip and rod		350 01 609 980
	10 pieces, protective cover with zip and rod		350 01 609 974

Accessories

Electrical accessories

2	OSYRION Spot LED battery-powered light, set of 2, with remote control, including charger		350 01 563 000
3	OSYRION Spot LED battery-powered light, set of 4, with remote control, including charger		350 01 563 100

Fixations

Ground sockets

4	Ground socket BT, hot-dip galvanised steel	Connection tube BT	350 01 206 100
---	--	--------------------	----------------

Wall consoles

5	Wall bracket Z, 180 mm, hot-dip galvanised steel	Support tube Z	350 01 205 000
---	--	----------------	----------------

Bases

6	Concrete base Z, 40 kg, Ø 60 x 8.5 cm, light concrete	Support tube Z	350 01 111 116
	1 pallet (20 pieces) concrete base Z, 40 kg, Ø 60 x 8.5 cm, light concrete	Support tube Z	350 01 112 116
6 ¹	Concrete base Z, 40 kg, Ø 60 x 8.5 cm	Support tube Z	350 01 109 529
6	Concrete base Z, 55 kg, Ø 60 x 11 cm, light concrete	Support tube Z	350 01 111 216
	1 pallet (20 pieces) concrete base Z, 55 kg, Ø 60 x 11 cm, light concrete	Support tube Z	350 01 112 216
7	Natural granite base Z, 40 kg, 50 x 50 x 8 cm, natural stone, matt NEW	Support tube Z	350 01 109 432
7 ¹	Natural granite base Z, 55 kg, 59 x 59 x 8 cm, natural stone	Support tube Z	350 01 109 447
7	Natural granite base Z, 55 kg, 59 x 59 x 8 cm, natural stone, matt NEW	Support tube Z	350 01 109 434
8	³ Set of castors for natural granite base Z, 40/55/90 kg / M4, 120 kg, Ø 5 cm, galvanised steel		350 01 109 487
8	^{3*} Set of castors for natural granite base Z, 40/55/90 kg / M4, 120 kg, Ø 5 cm, high-grade steel 1.4301 / 304		350 01 109 486
9	Steel base Z 40 kg, 58.5 x 58.5 x 2 cm, hot-dip galvanised steel	Support tube Z	350 01 100 810
9	Steel base Z 55 kg, 68.5 x 68.5 x 2 cm, hot-dip galvanised steel	Support tube Z	350 01 100 910
10	³ Set of castors for steel base Z, 40/55 kg, Ø 5 cm, galvanised steel		350 01 101 001
10	^{3*} Set of castors for steel base Z, 40/55 kg, Ø 5 cm, high-grade steel 1.4301 / 304		350 01 101 000

Bases with castors

11	^{3,7} Base with castors Z, 55 kg, 65 x 65 x 11 cm, light concrete (without decorative plate)	Support tube Z + decorative plate	350 01 113 200
	^{3,7} 1 pallet (5 pieces) base with castors Z, 55 kg, 65 x 65 x 11 cm, light concrete (without decorative plate)	Support tube Z + decorative plate	350 01 113 280
12	¹ Decorative plate in grey white RAL 9002 for base with castors Z, 55 kg, aluminium composite		350 01 113 310
13	Decorative plate in anthracite RAL 7016 for base with castors Z, 55 kg, aluminium composite		350 01 113 320

Various fixation types

14	Lawn spike Z, 85 x 150 x 350 mm, hot-dip galvanised steel	Support tube Z	350 01 205 400
15	Wall consoles U for the table top, Ø 31–40 mm, high-grade steel 1.4301 / 304, for horizontal flat railing, square profile up to 120 mm		350 01 252 005

Support tubes/connection tubes

16	Support tube Z, Ø 35 / 38–39 mm, hot-dip galvanised steel		350 01 201 010
16	Support tube Z, Ø 35 / 38–39 mm, high-grade steel 1.4301 / 304		350 01 201 100
17	Connection tube BT, Ø 35 / 38–39 mm, hot-dip galvanised steel		350 01 206 210

¹while stocks last

³only suitable for smooth, joint free surface coverings

⁷55 kg: Ground clearance 7 mm

⁸suitable for corrosive environmentsg